

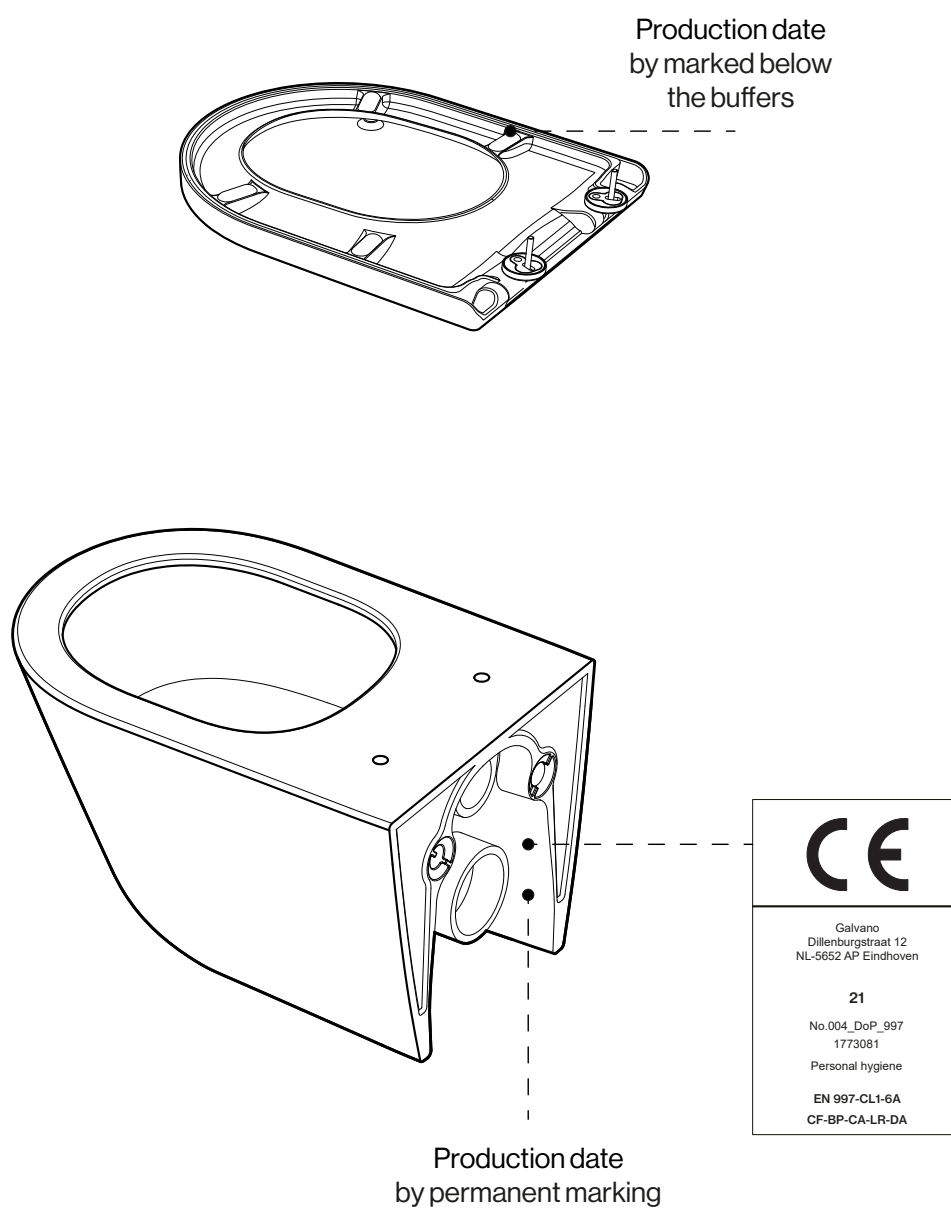
GALVANO WH TOILET PACK

PRODUCT INFORMATION

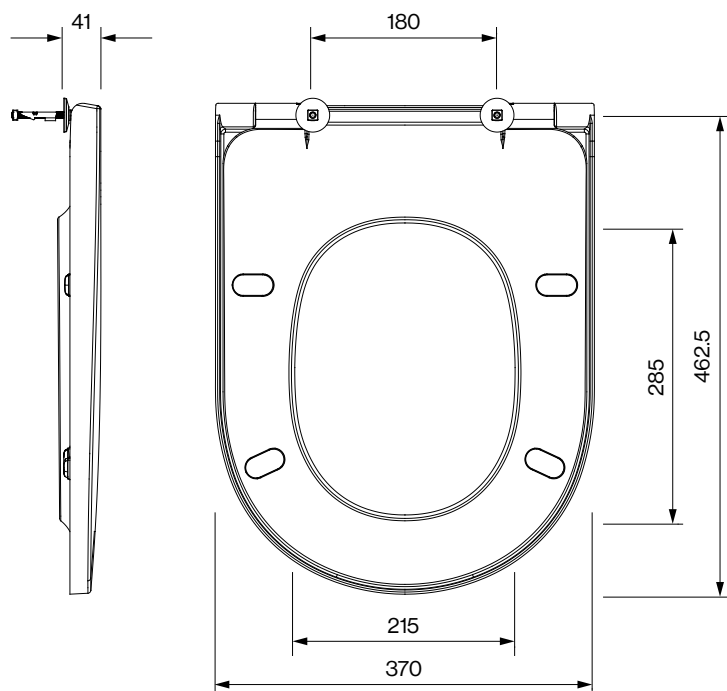
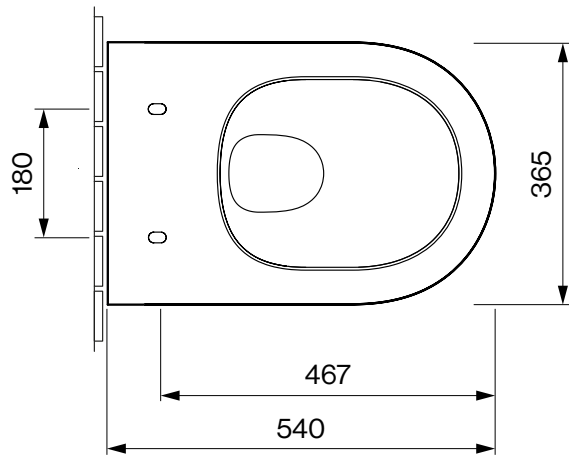
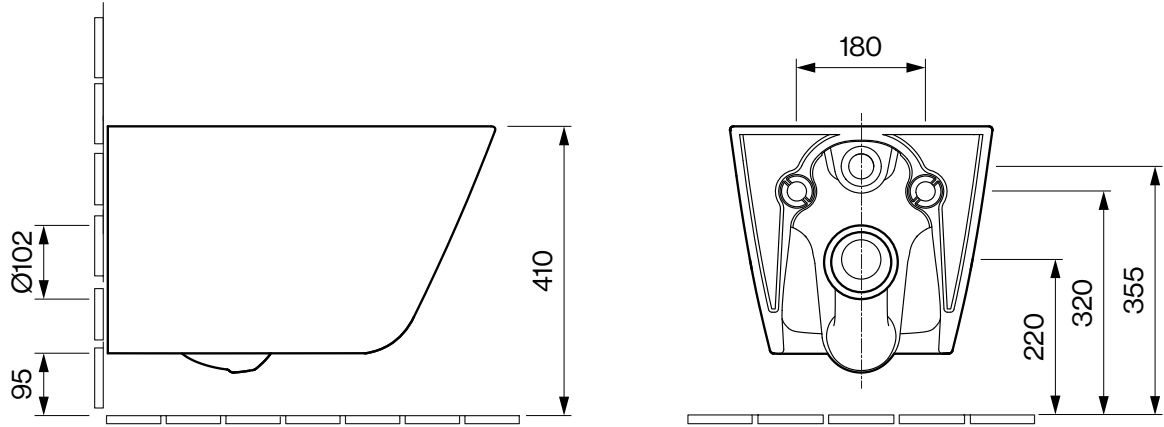
TECHNICAL DATA

Product dimension	540 x 365 x 352 mm
Gross weight	30.0 kg
Net weight (product)	28.0kg
Standards	EN997-CL1-6A, EN33

PRODUCT MARKING

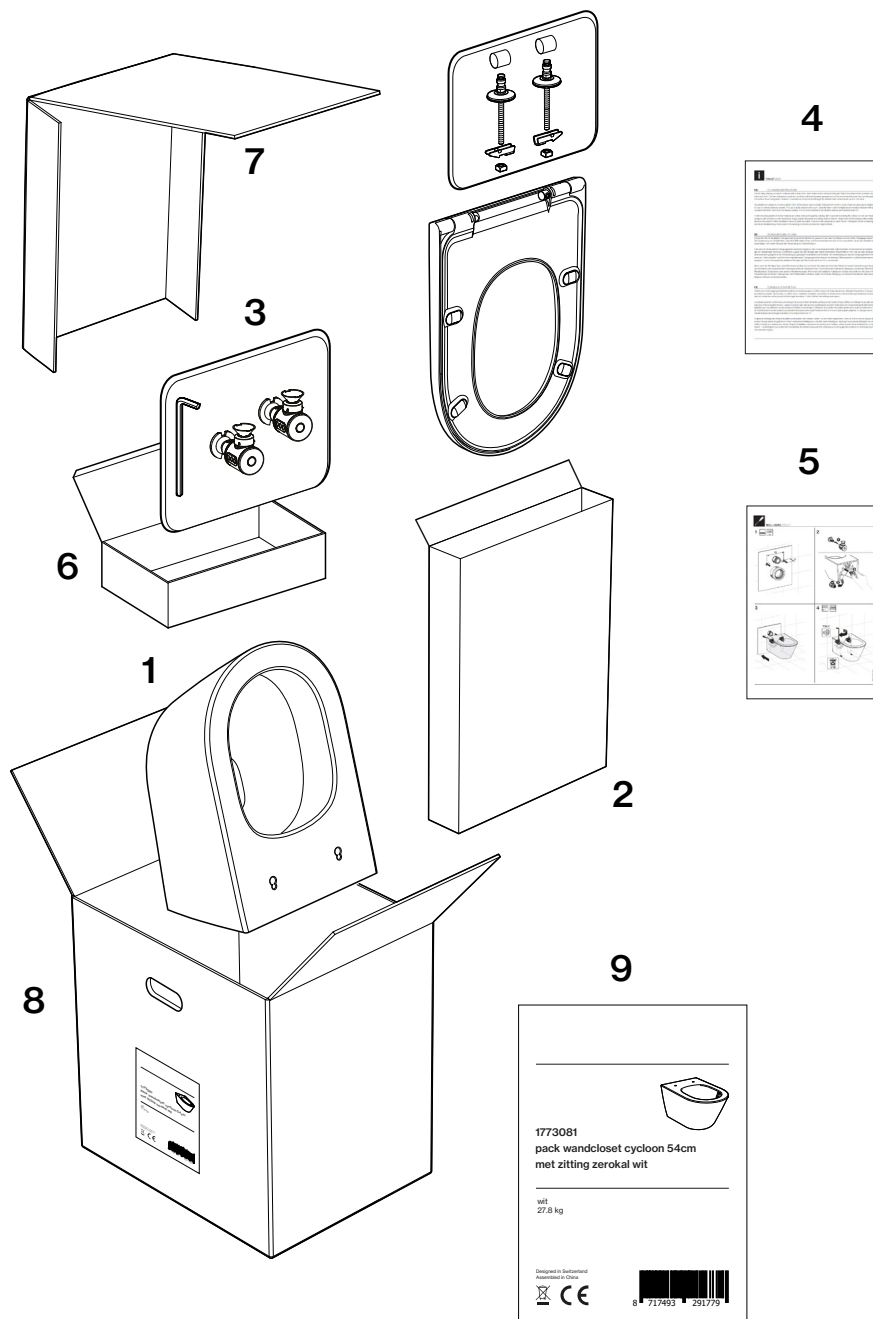


PRODUCT DRAWING



PRODUCT CONTENT

Pos.	Article no.	Description	Quantity	Remarks
1	W383	WH toilet	1	
2	S01.0200.04.09	toilet seat	1	
3	A92.0100.01.01	Fixation set	1	
4	CI_Z00.1300.09.01	Cleaning instruction	1	A3 Paper , 80g
5	MI_Z00.1201.00.01	Manual instruction	1	A4 Paper , 80g
6		Small box	1	plain brown
7		Side protection	1	plain brown
8		Outer box	1	plain brown
9	PL_T01.0554.00.09	Label outer box	2	



PACKAGING

Dimension outer box	560 x 390 x 403 mm
Quantity box	1 pcs
Quantity pallet	12 pcs
Quantity 20' container	no HC container available
Quantity 40' container	576 pcs
Pallet dimension	1200 x 800 mm
Material	Solid wood fumigated ISPM 15
Total pallet height	2520 mm

