




Architect washbasin mixer

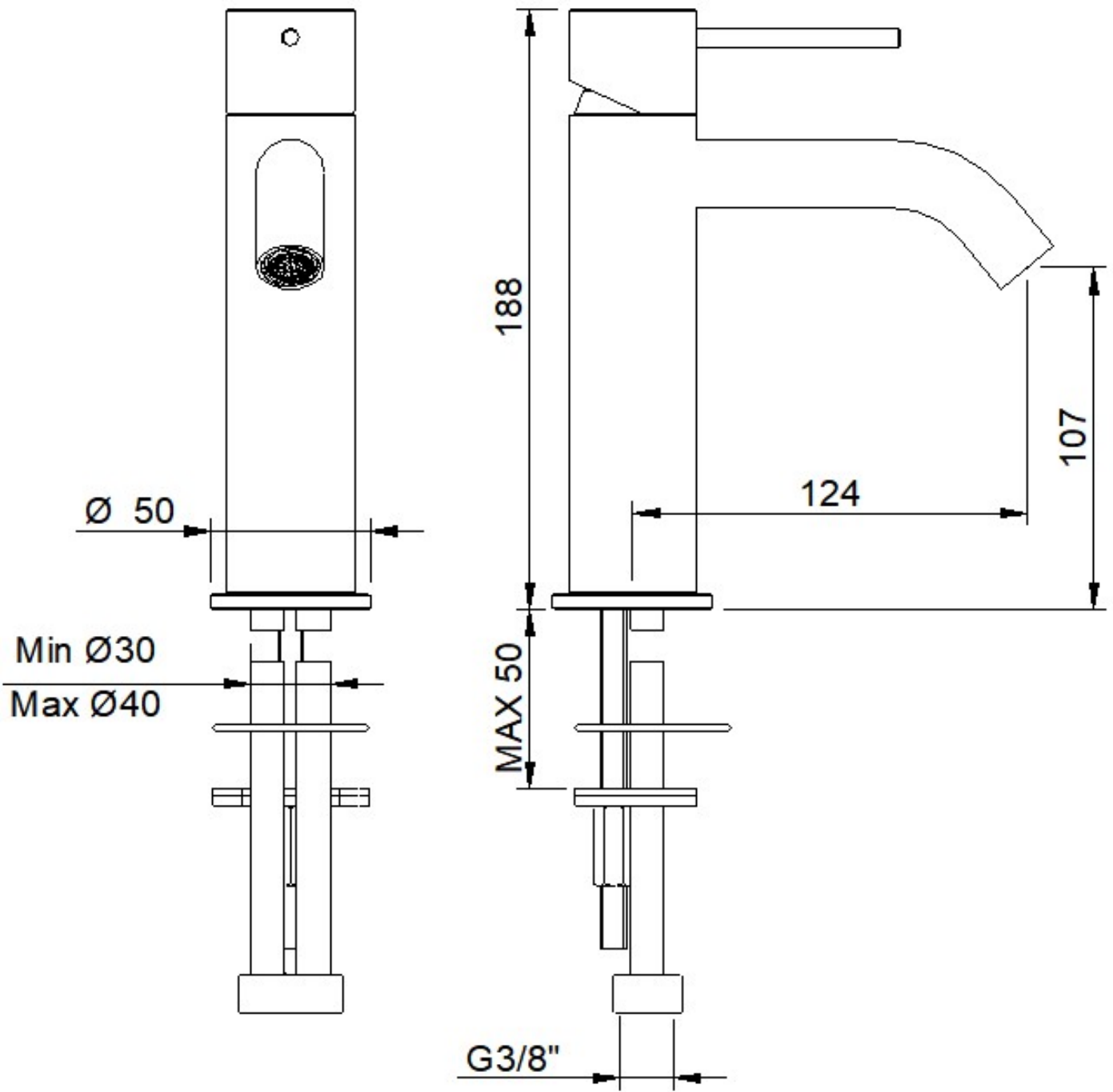


“geborsteld rvs” IS		<b>GA1311IS40ZZ</b>
“staal 02” 01		<b>GA13110140ZZ</b>
“koper 02” 03		<b>GA13110340ZZ</b>
“mat goud 02” 04		<b>GA13110440ZZ</b>



Certified to  
NSF/ANSI 61







# LINEAR ECO FLOW RATE TEST MIXED

