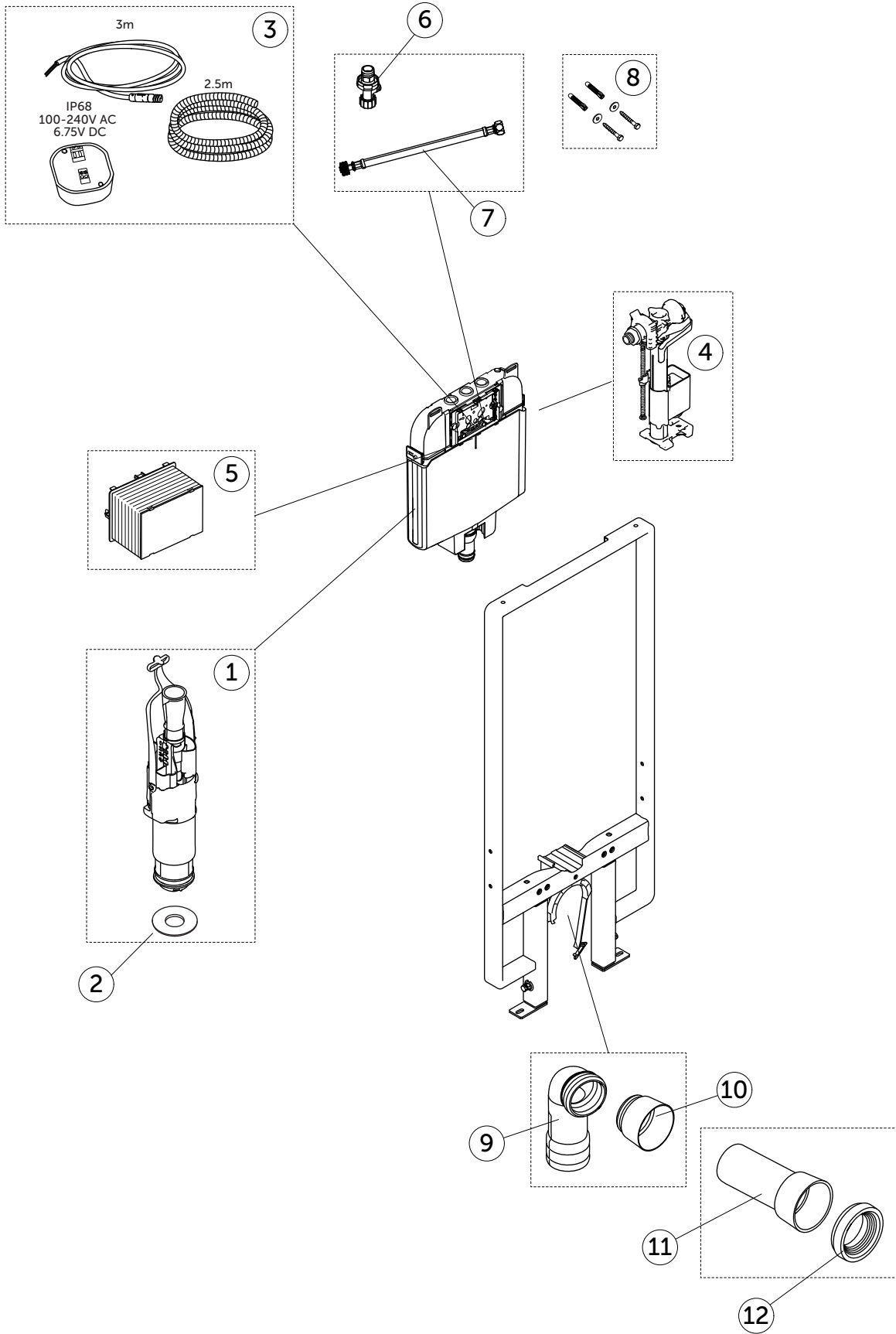


SPARE PARTS

PROSYS 80



SPARE PARTS

PROSYS 80

REP.	CODE	DESCRIPTION	WHERE IS USED
1	RV15167	PROSYS FLUSH VALVE FOR WC FRAME 80 M	
2	RV15567	PROSYS SEAL FOR WC FRAME 150/80	
3	R009367	PROSYS TRANSFORMER 74 & 120 PROXIMITY ONLY	
4	RV15467	PROSYS FILLING SMARTVALVE CLASS 1	
5	RV16667	PROSYS Service tunnel	
6	RV16867	PROSYS 80 Stop Valve	
7	RV17167	PROSYS 80 Flexible hose 3/8 / 3/8 x 215	
8	RV17867	Fixation screws x4 for PROSYS 80 / 120 / 150	
9	RV18067	PROSYS Outlet bend 90/90	
10	RV18167	PROSYS outlet bend adaptor 90/110 (needed for FS NF frames to be sold in other countries)	
11	RV18267	PROSYS WC connection pipe diam 90x250	
12	RV18367	PROSYS Rubber seal for pan diam 125	

Ideal Standard International NV
Corporate Village – Gent Building
Da Vincilaan 2
B1935 – Zaventem
Belgium



BE +32 (0)2 325 66 33
BG +359 675 30362
DE +49 (0)228 521 580
EG +202 26969700
FR +33 (0)1 49 38 28 00
GB 0870 129 6085
GR +30 210 67 90 810
HR +38591 22 99 304

HU +36 30 6991 594
IT 800 652 290
ME +971 4 804 2400
NL +31 (0)77 355 08 08
PL +48 71 7868 301/302
RO +40 21 3223 201/202
SI 00386 59 919040
TR +90 216 314 87 87

UA +359 675 30 468
AL/XK/BA +359 887 709 696
CZ/SK +420 417 592 179
DK/NO/SE +45 75 84 10 10
ES/PT +34 93 561 80 00
LV/LT/EE +371 673 57 792
RS/MK/ME +381 11 713 80 58
RU/MD +7 495 669 23 11

