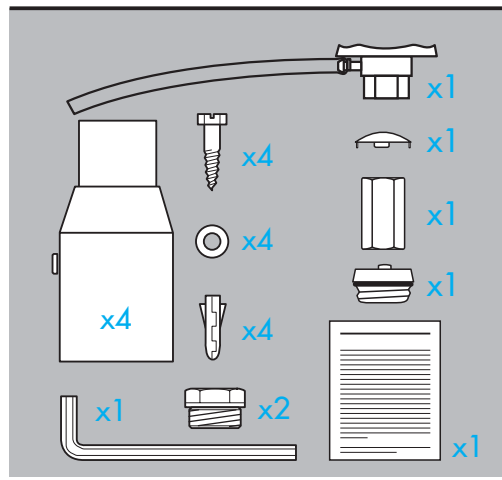
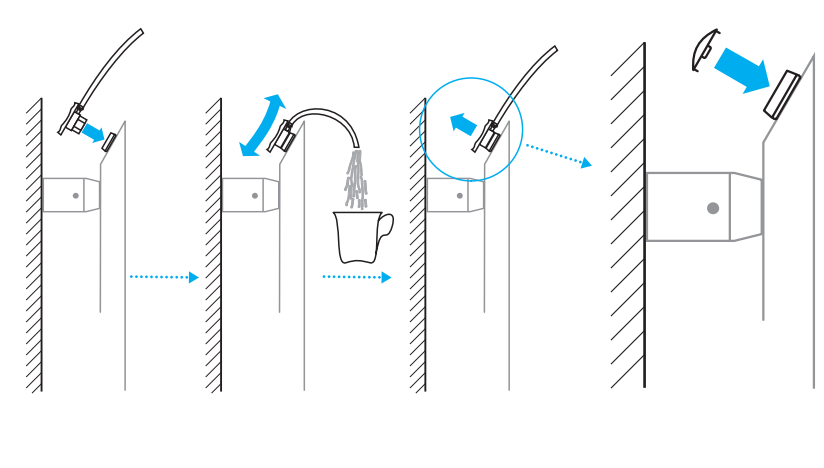
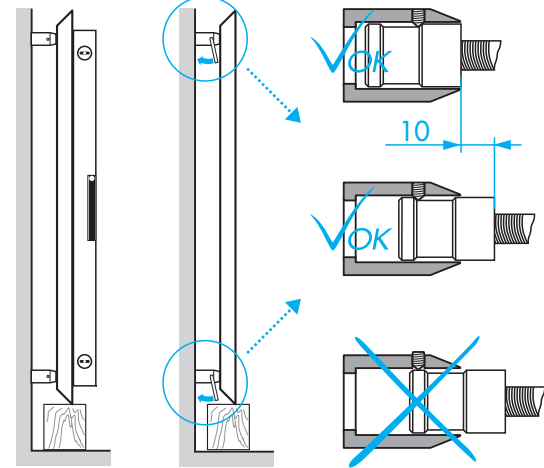
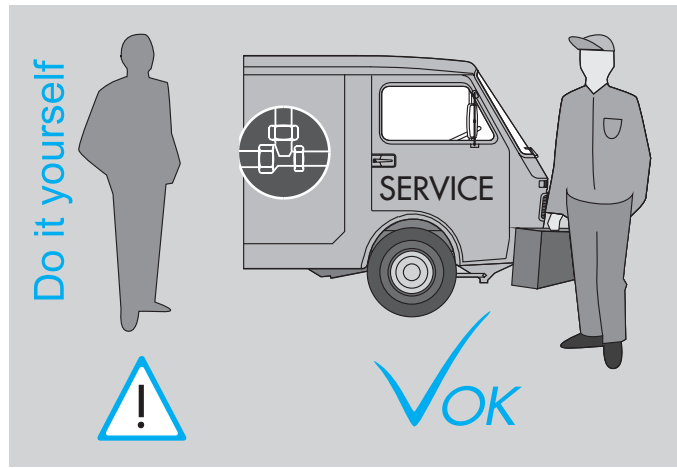
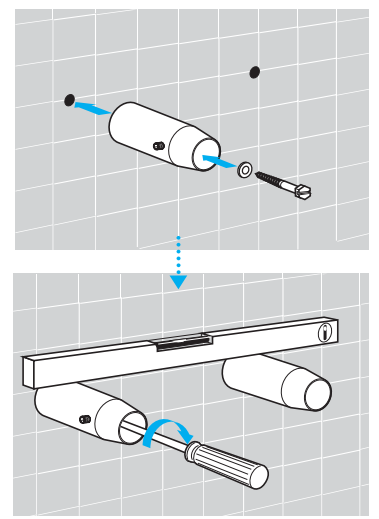
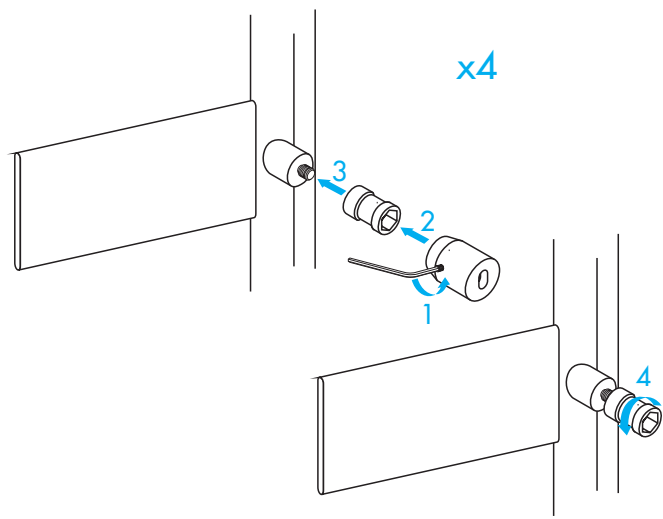
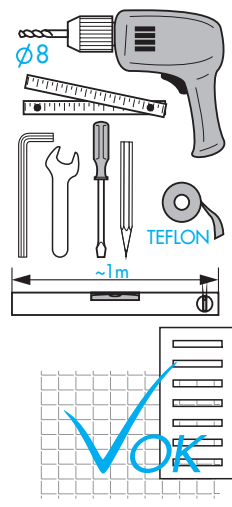
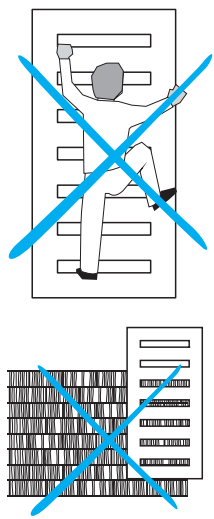


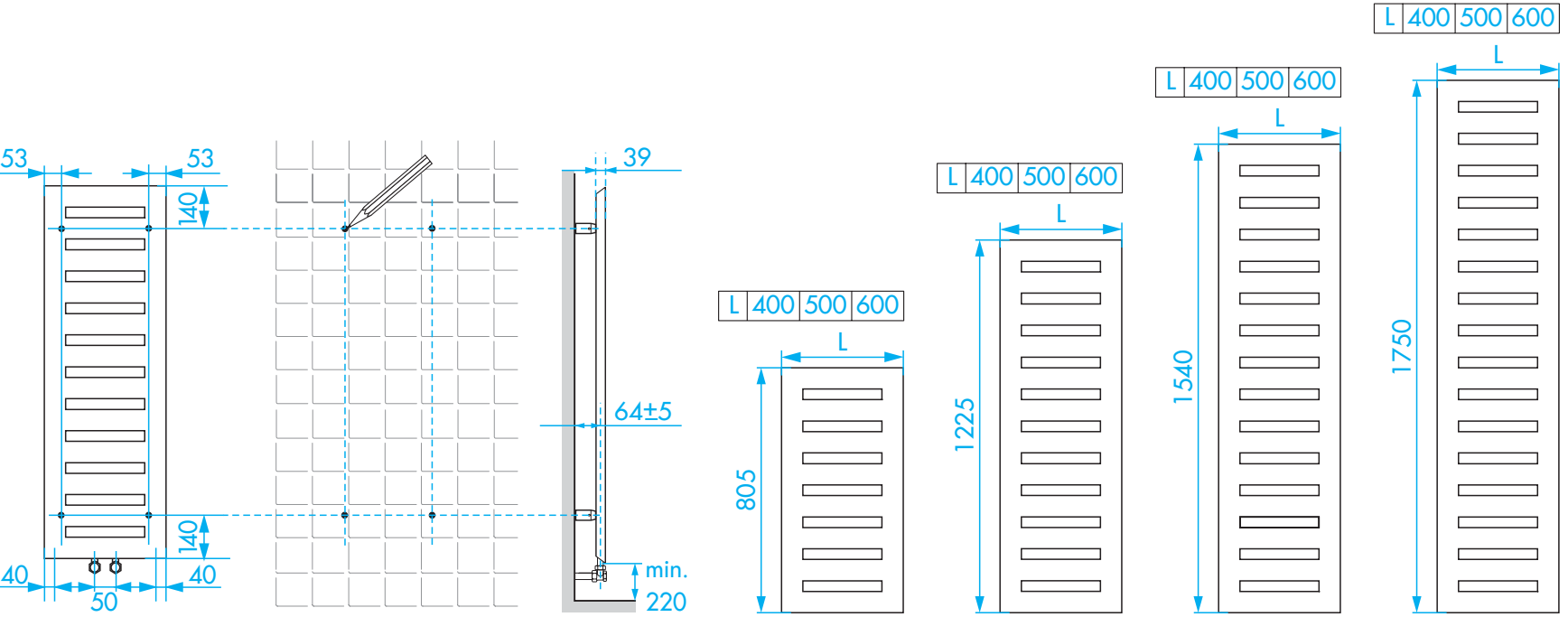
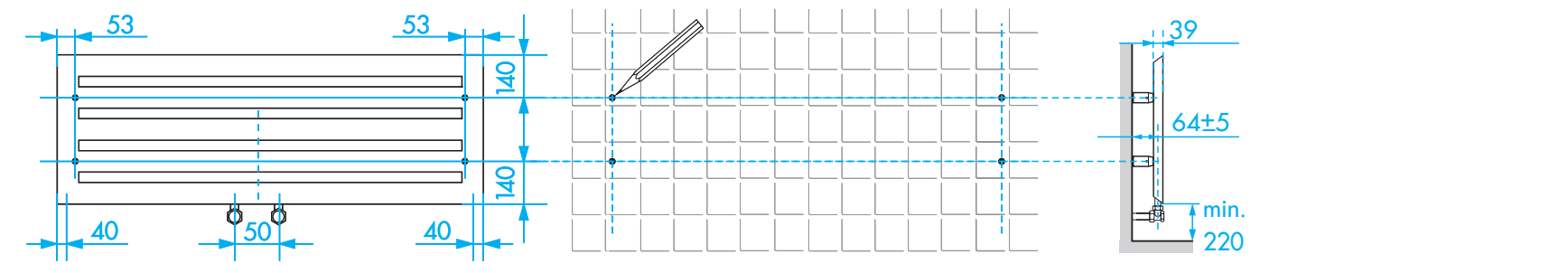
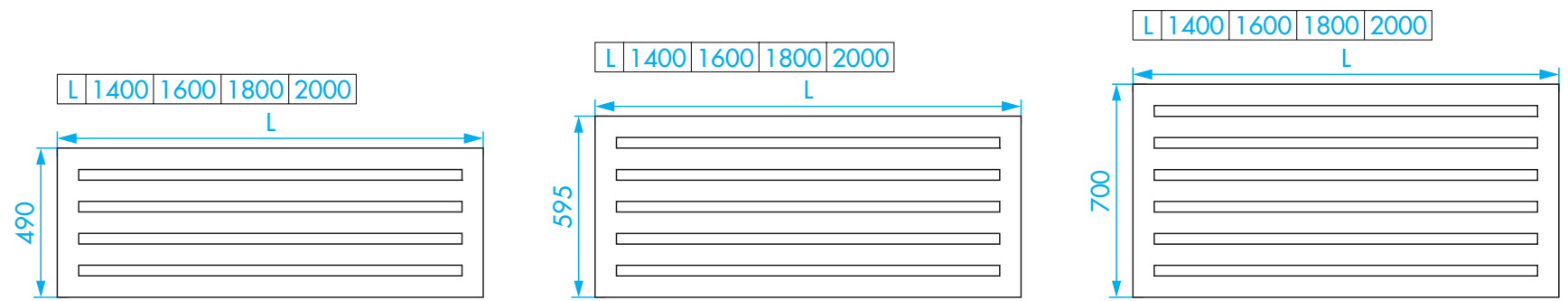
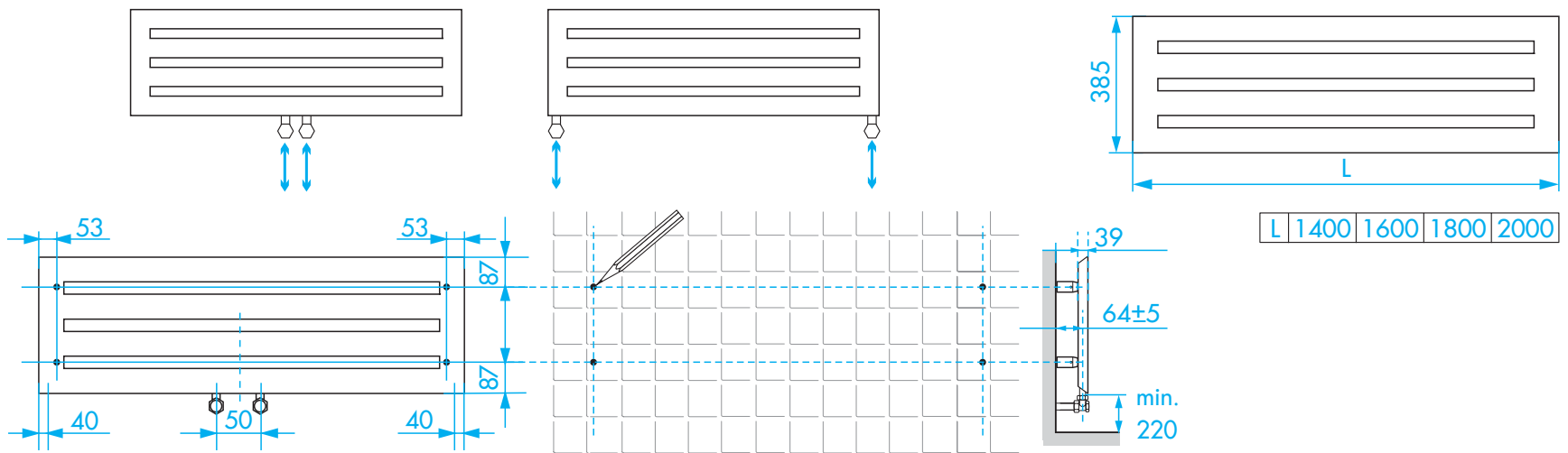
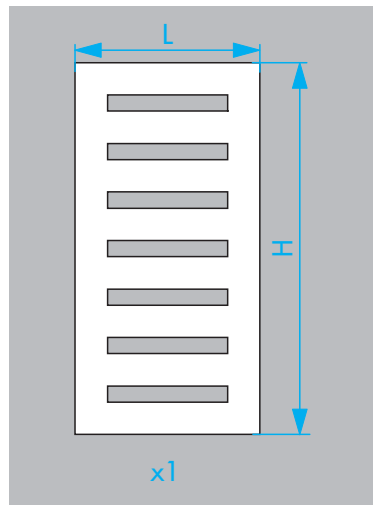
221109



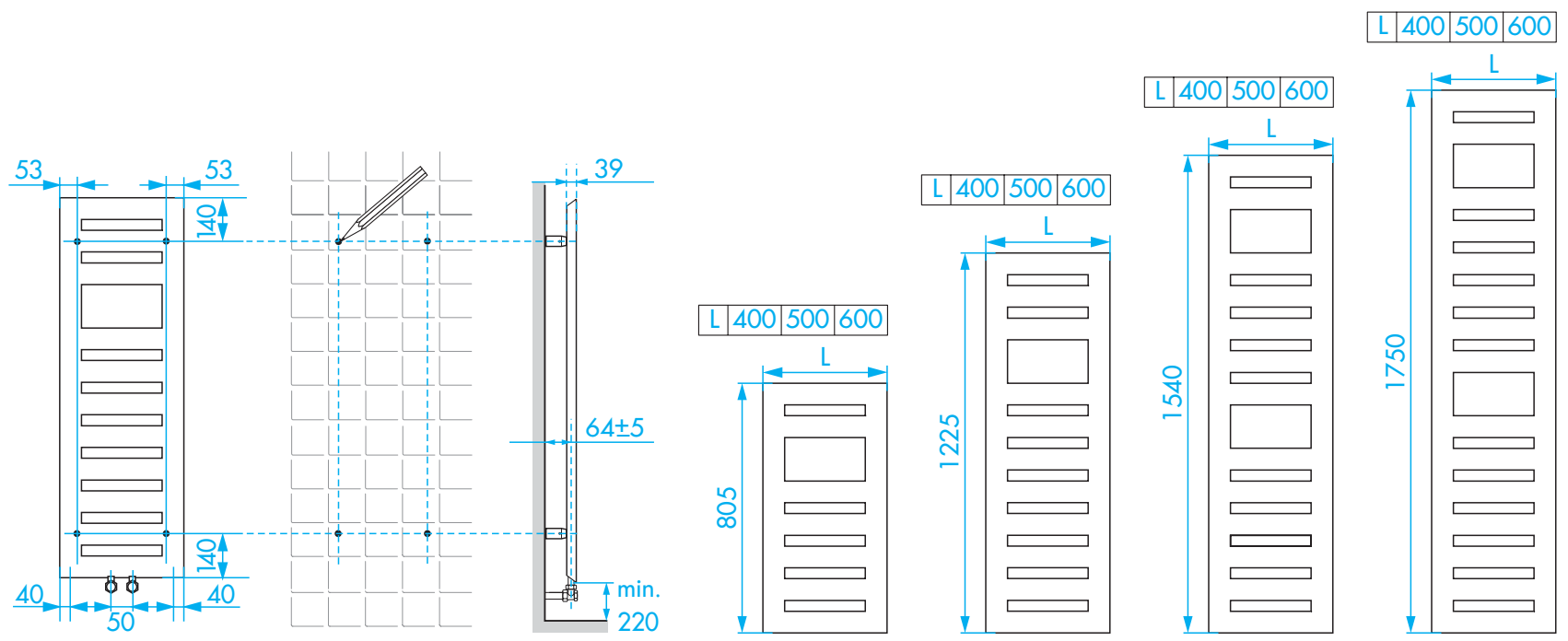
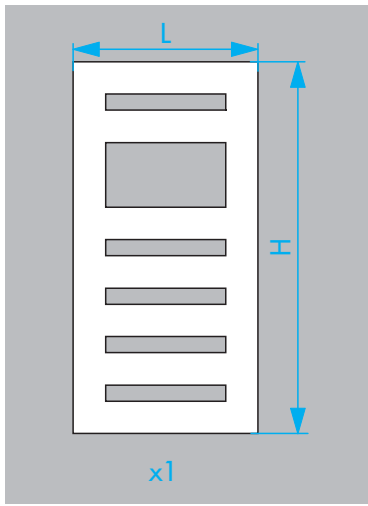
© Copyright by PBO 11/09



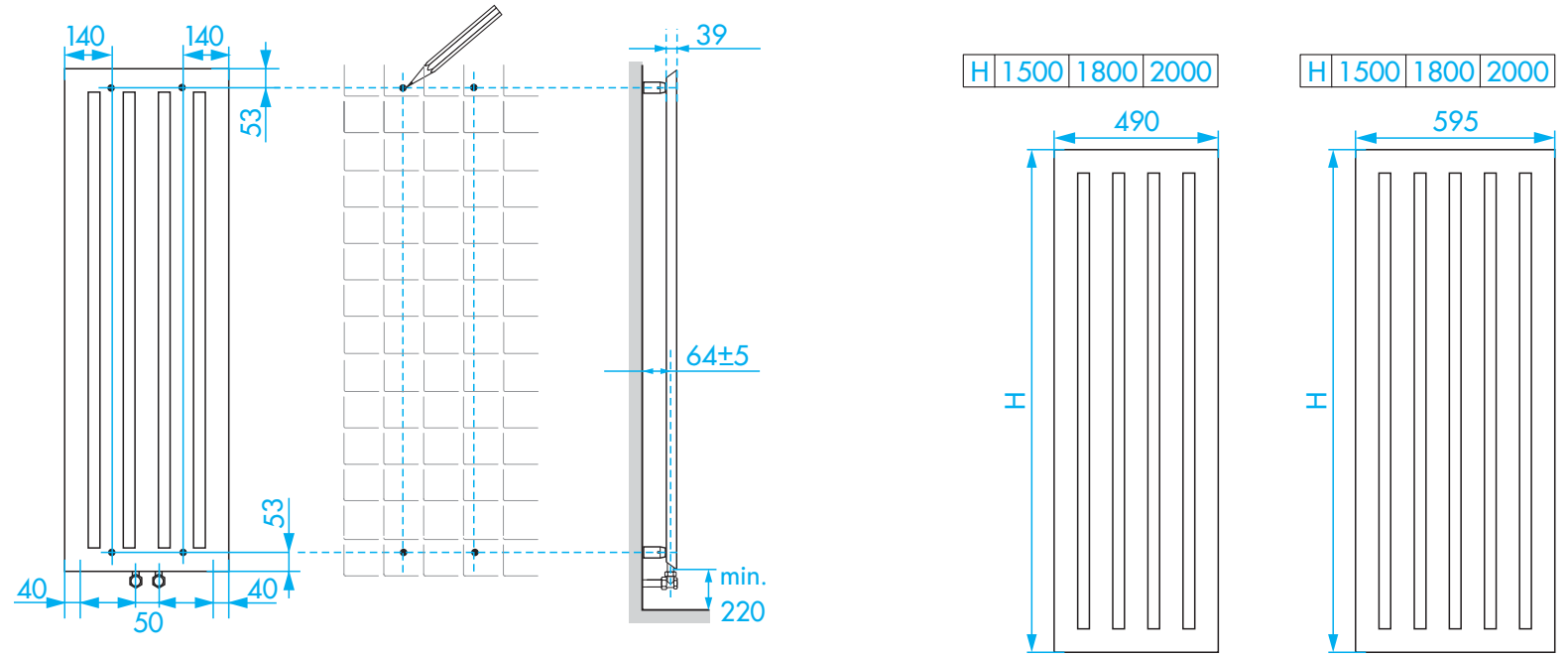
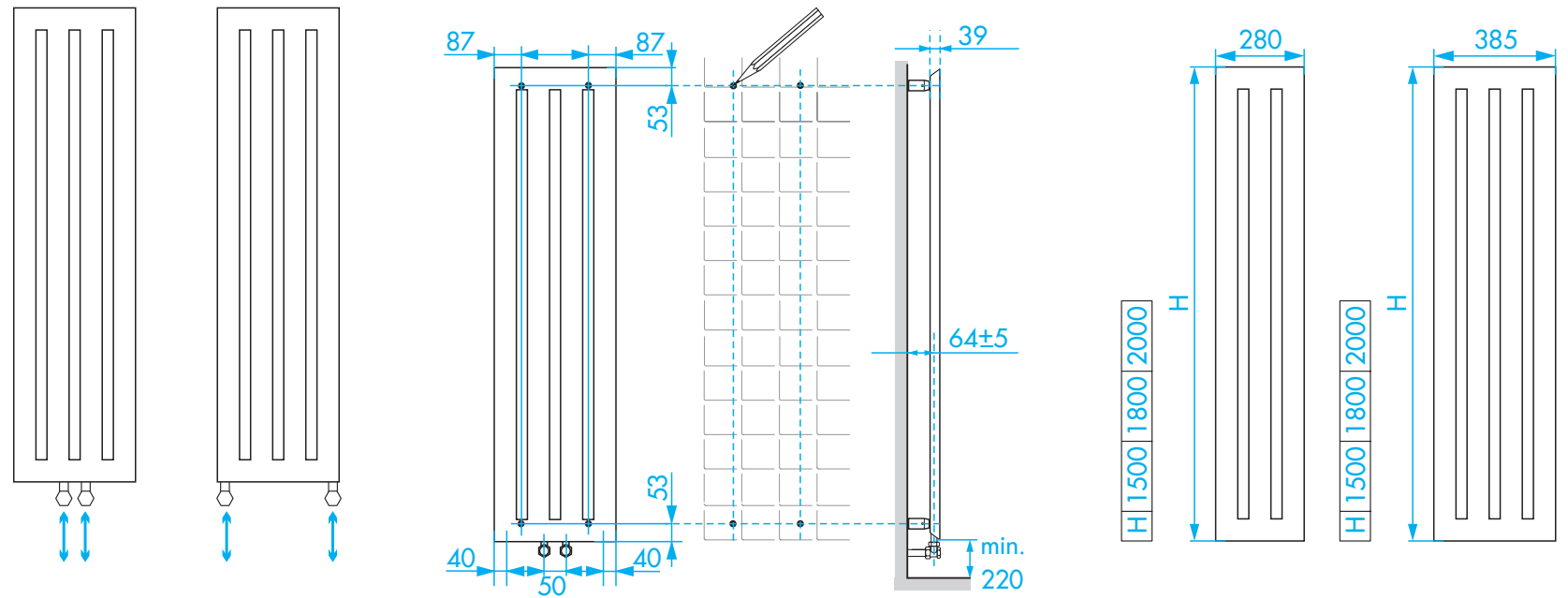
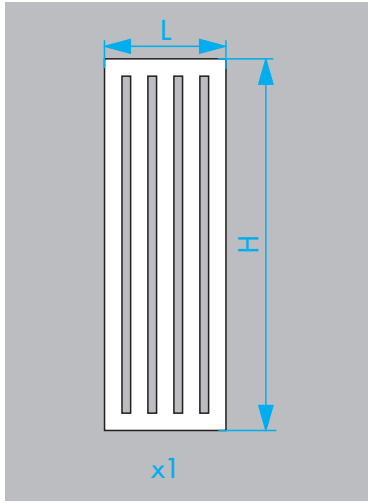
**TYPE T080-H**



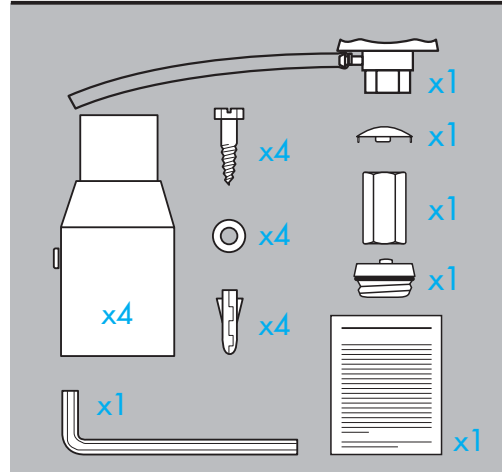
# TYPE T081-H



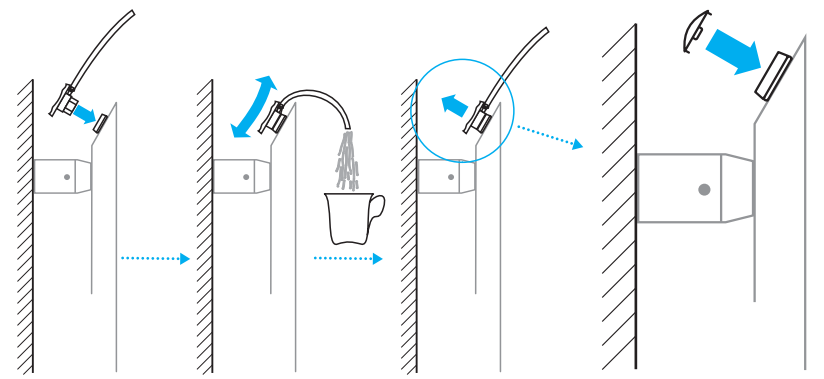
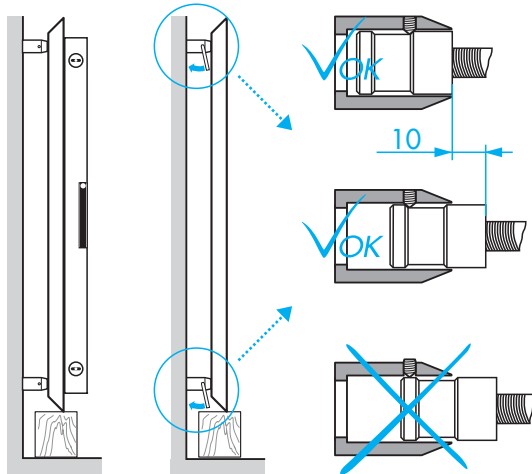
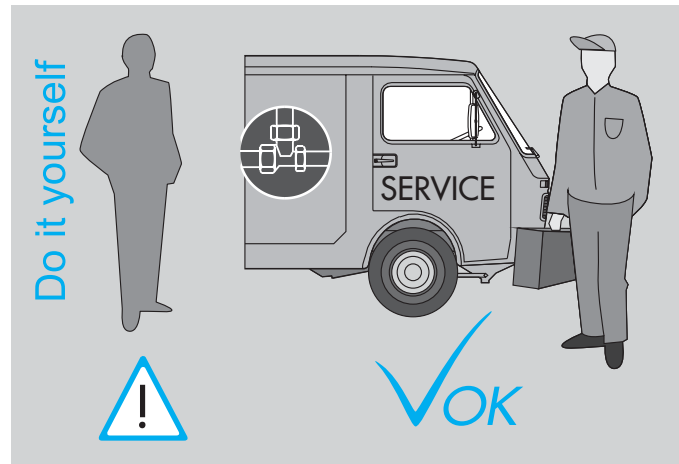
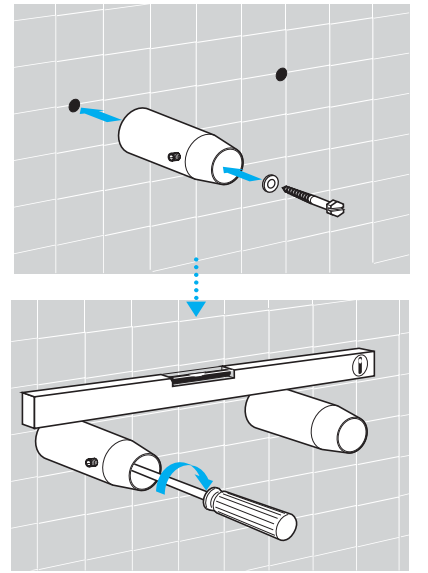
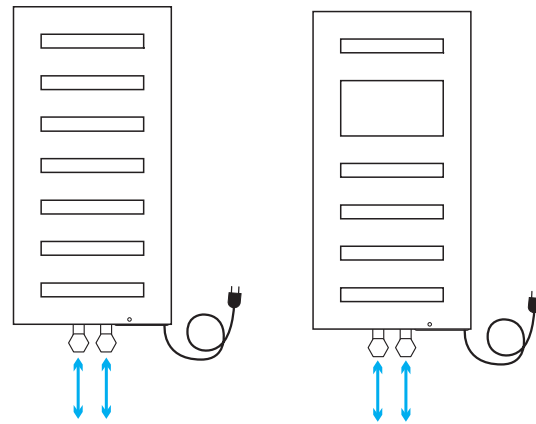
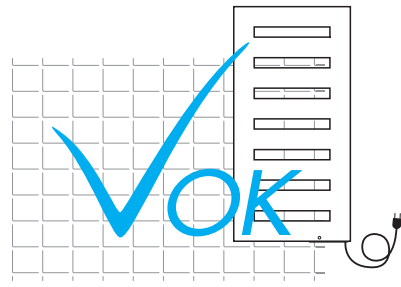
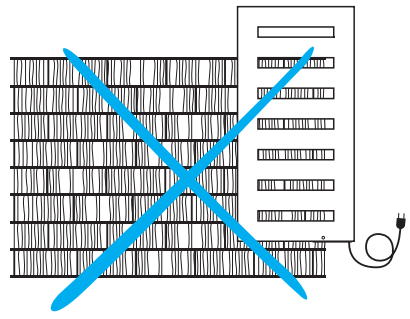
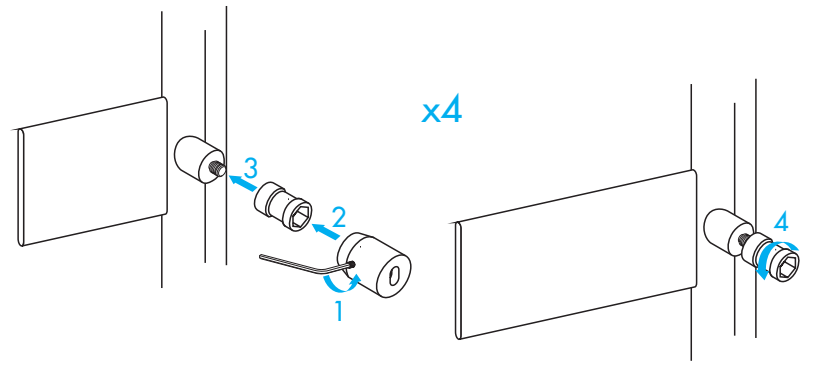
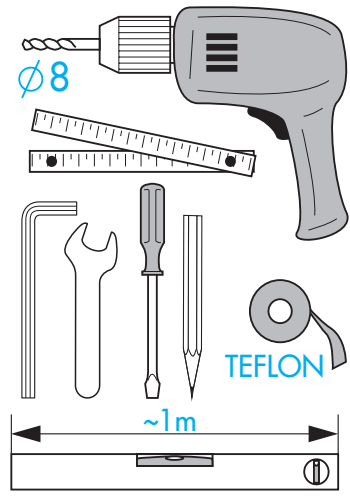
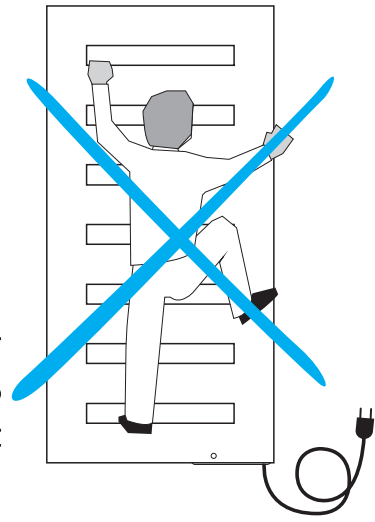
# TYPE T080-V



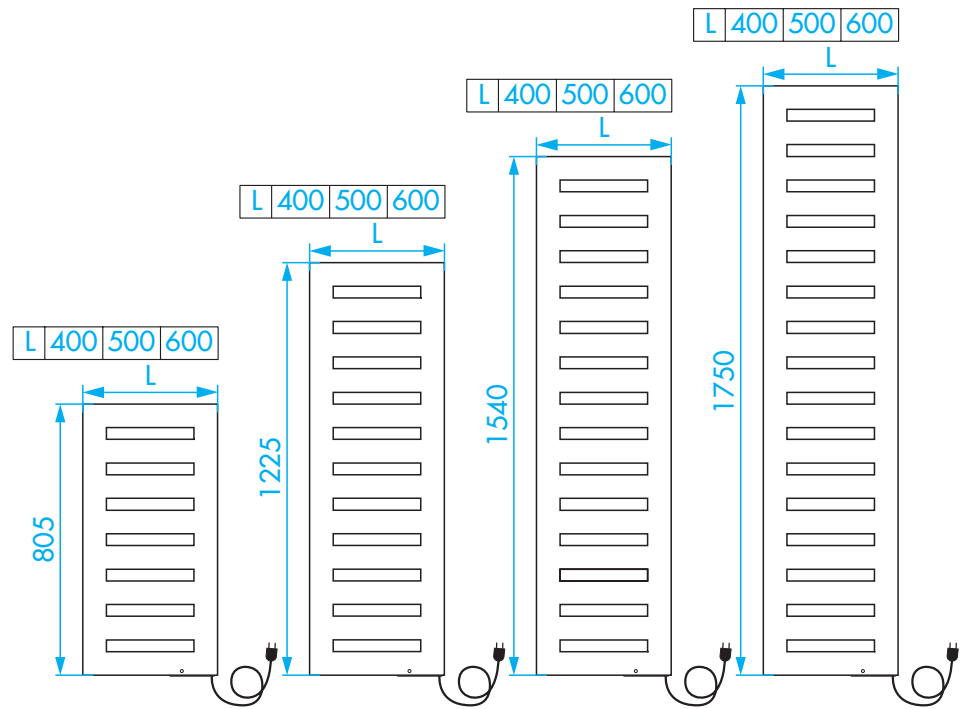
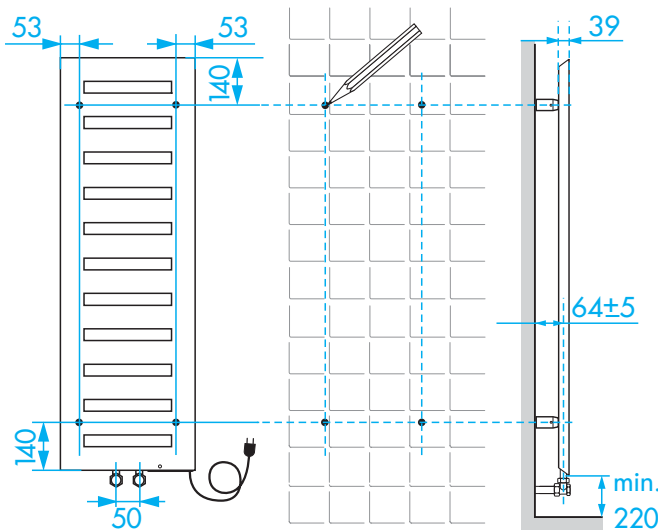
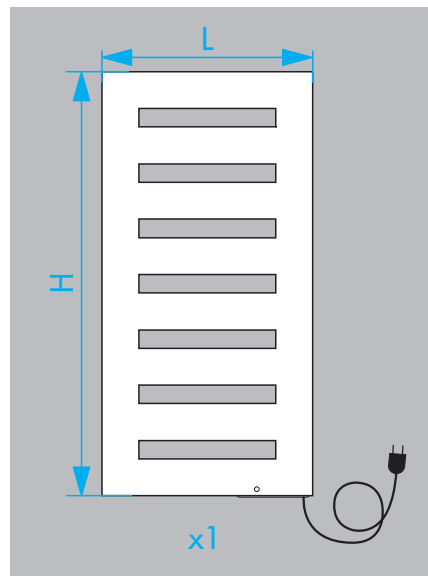
231109



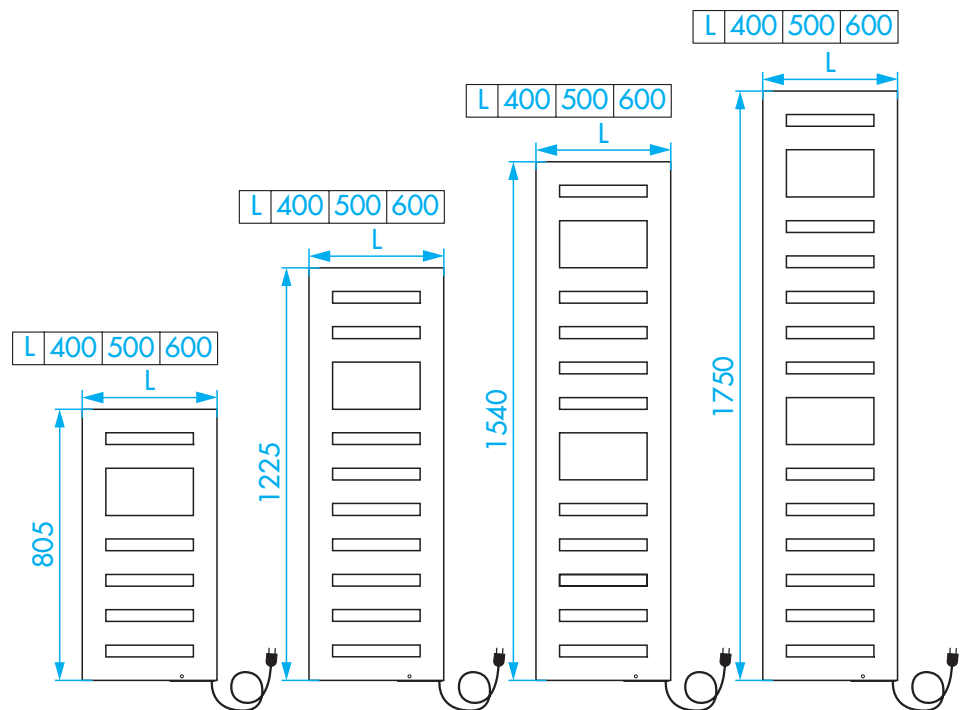
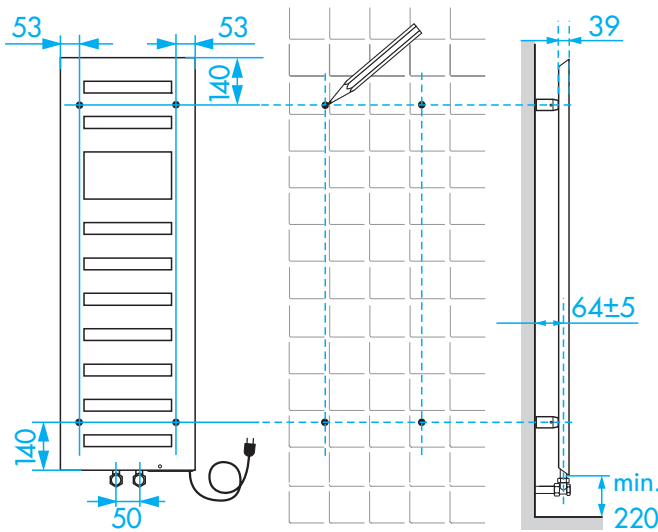
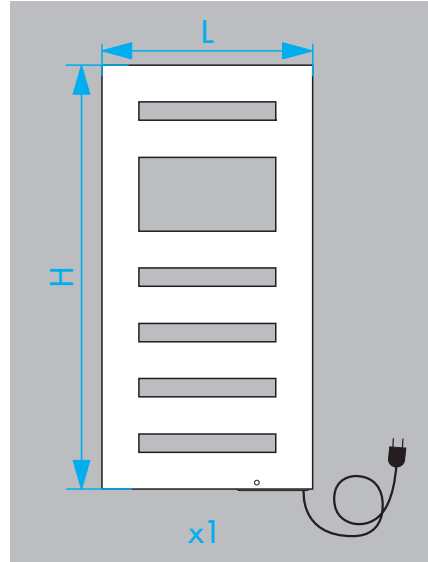
© Copyright by PBO 11/09



**TYPE T080-HM**

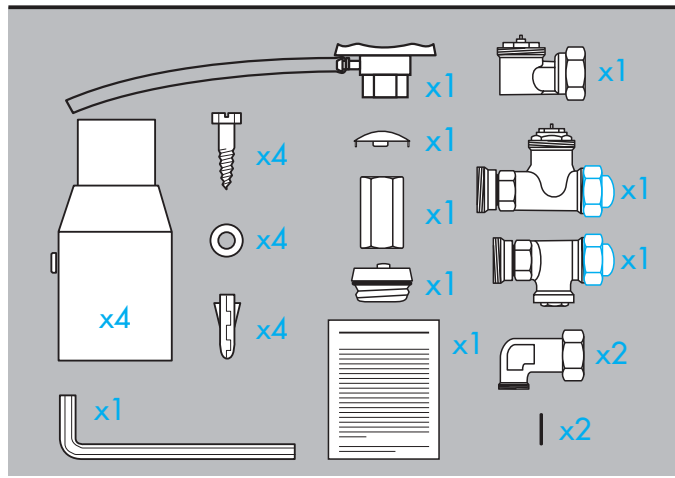


**TYPE T081-HM**

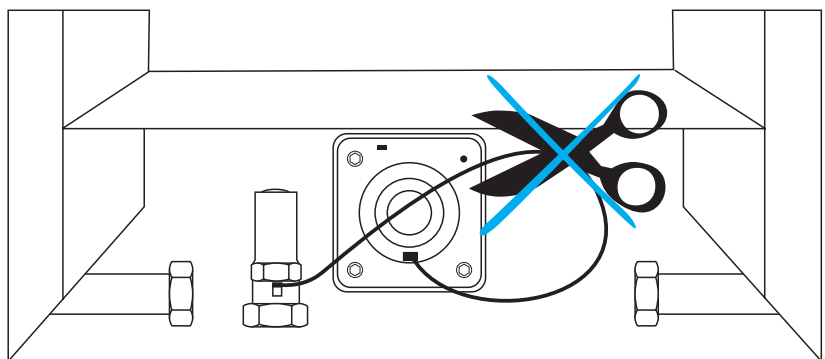
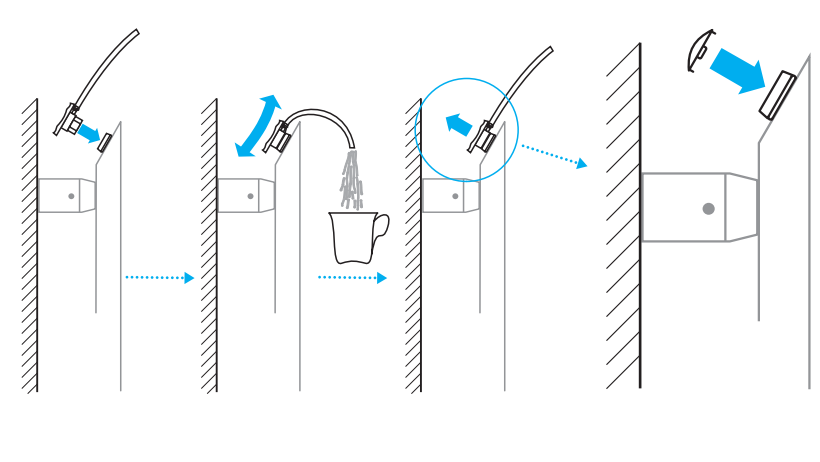
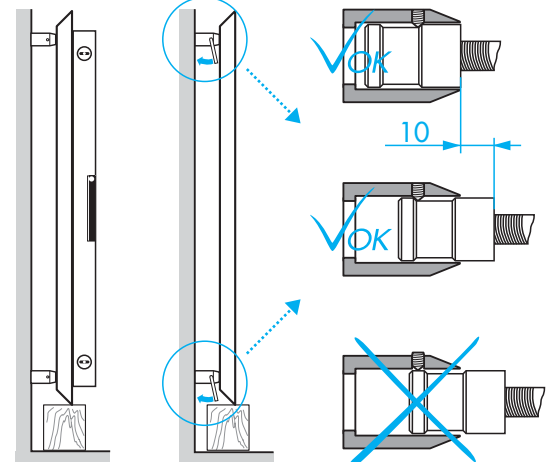
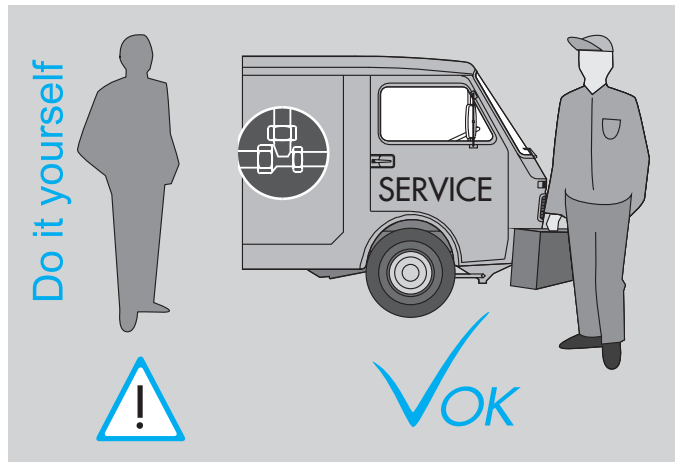
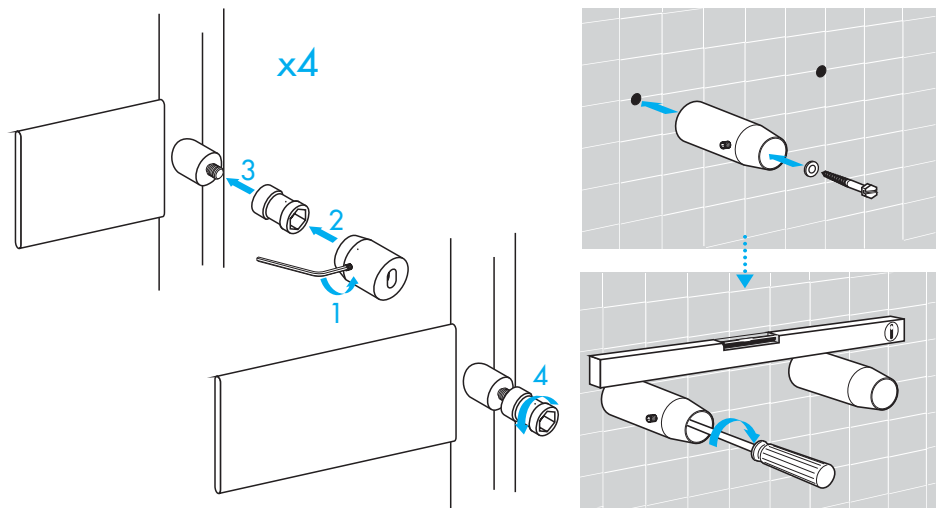
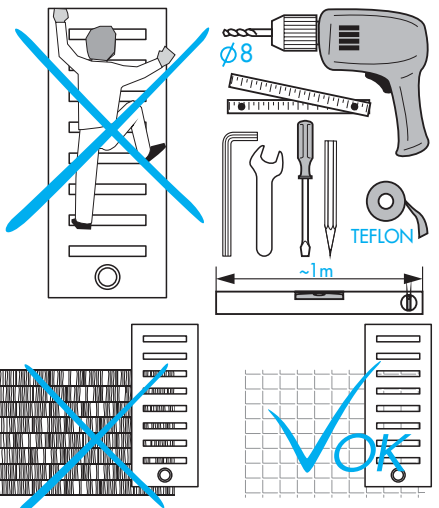




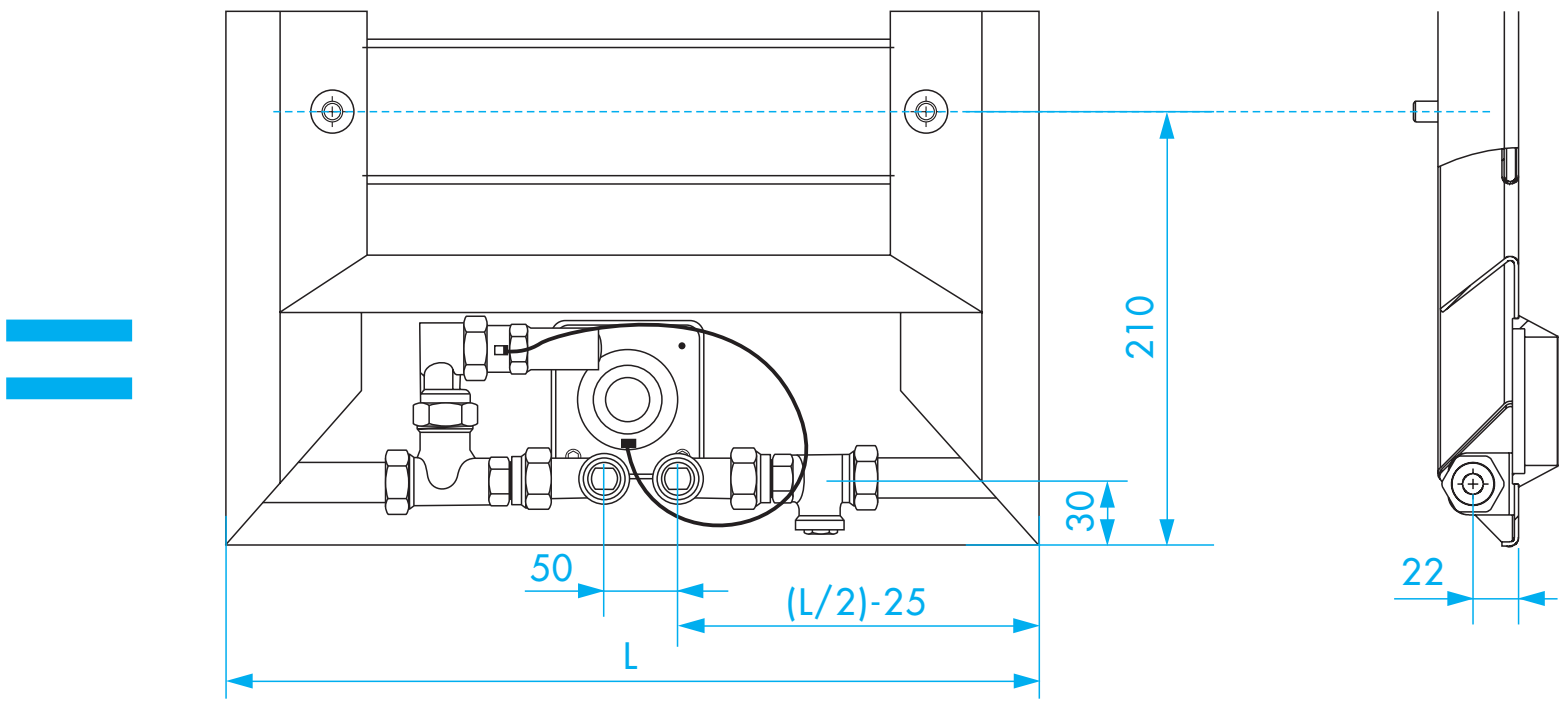
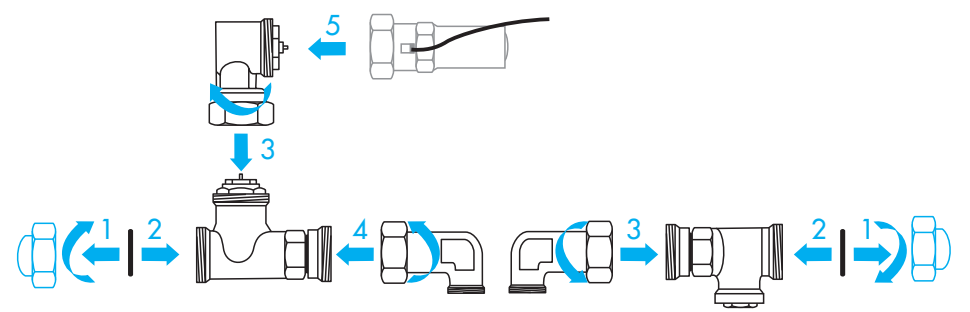
# COMPLETTO



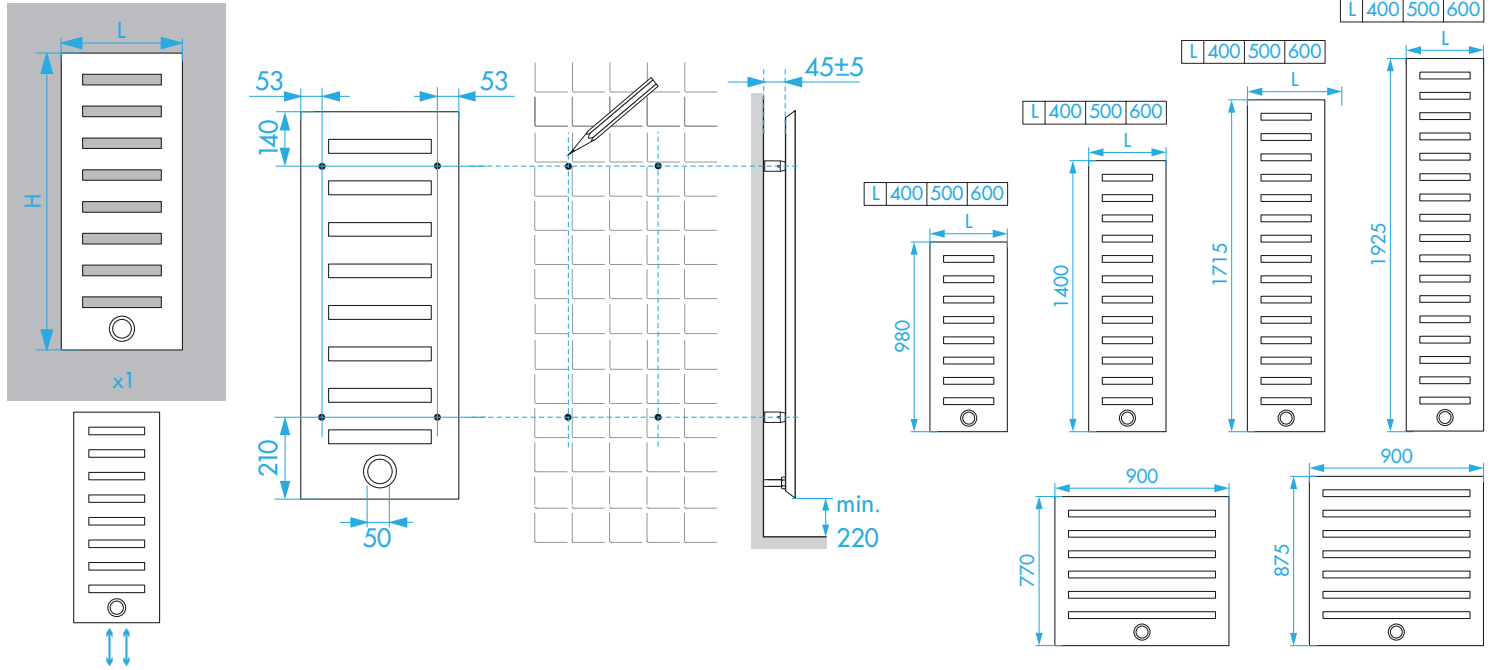
© Copyright by PBO 01/11 061209



+



## TYPE T080



## TYPE T081

