

SET SONAR SAPHIRKERAMIK

Double washbasin bowl with texture

81234.9



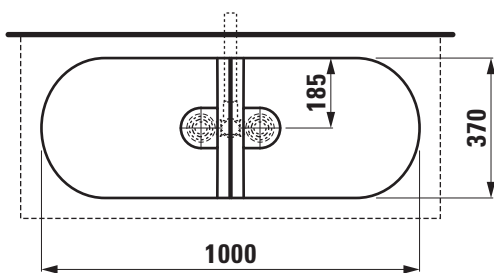
TECHNICAL DATA

Order no.	81234.9
Certified to	EN 31
Dimensions	1000 x 370 mm
Basin capacity	per basin 4.9 litre
Specification	with outside texture Charge 112 – without tap holes, without overflow
Weight	17,5kg
Accessories incl.	2x SaphirKeramik valve cover plate, order no. 89334.3
Mounting acc. incl.	Charge 112 – 2x valve without overflow always open, order no. 89334.4 Waste connection set LAUFEN, order no. 89434.3 Fastening kit, order no. 89496.1
Mounting acc. excl.	Design siphon with siphon cover DN 32 chrome, order no. 37498.0 Space saving siphon DN 32, order no. 89424.0
Colours	see colour table

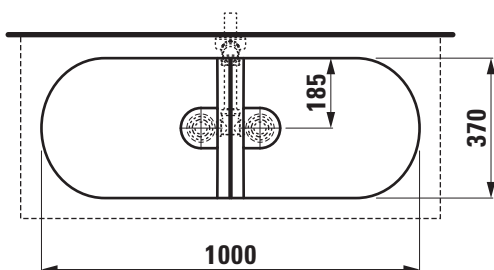
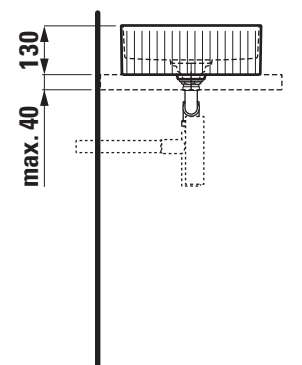
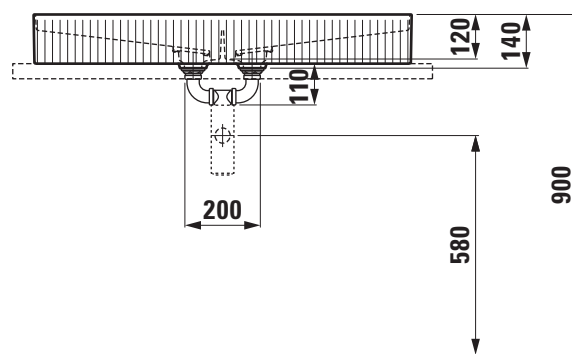
SPECIFICATION TEXT

Double washbasin bowl with texture Laufen-SONAR, SaphirKeramik EN 31
 dimensions 1000 x 370 mm
 without tap holes, without overflow, valve without overflow always open,
 SaphirKeramik valve cover plate
 Special feature: with outside texture
 Further options / accessories: Surface refinement LCC (only white),
 bathtubs
 Order no. 81234.9

TECHNICAL DRAWINGS / S 1 : 20



with design siphon DN32 LAUFEN 37498.0



only for space saving siphon DN32 LAUFEN 89424.0
 in combination with vanity unit 40905.3

