

# Usage and Maintenance Manual

## Product Information

- A. This product manufactured of high quality brass and electro plated to a high standard to offer years of trouble free usage.
- B. Operating temperature from 5 - 90°C.
- C. Operating water pressure 1 - 8 bar (0.1 -0.8 MPa).
- D. The recommended working pressure: 2 – 3 bar.

## Operation of product

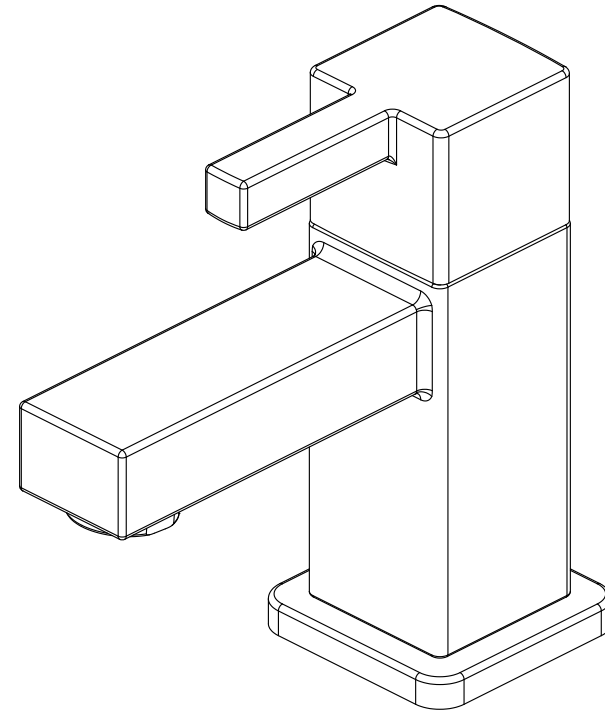
Rotate the handle anti-clockwise to open and increase water flow, contrarily, to decrease and stop water flow.

## Product Care

We recommend keeping your product in optimal condition, that you clean it regularly using warm soapy water and a soft cloth. Dry with a soft cloth to return it to its original lustre.

**Do not clean with harsh or abrasive cleaning materials, as this could damage the product.**

## Installation Instruction Usage and Maintenance Manual

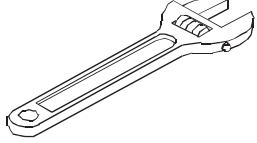


Please read this instruction carefully to avoid any difficulty during installing

### Step#2

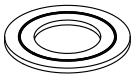
Diagram 1

Tools



Adjustable Wrench

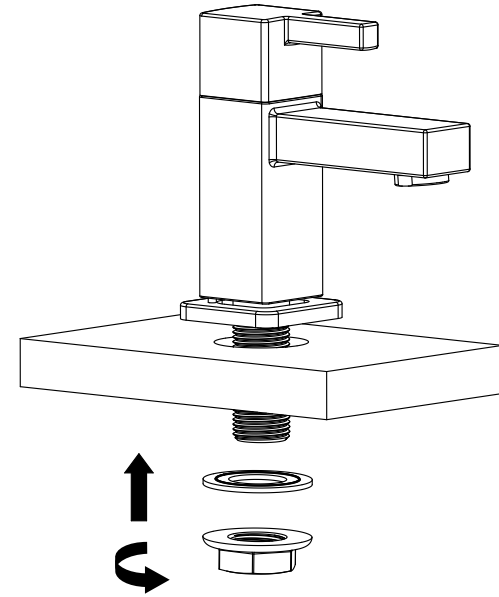
Diagram 2



1x

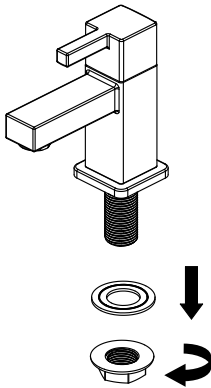


1x



## Installation illustration

### Step #1

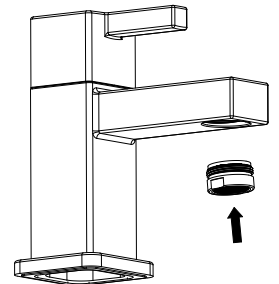
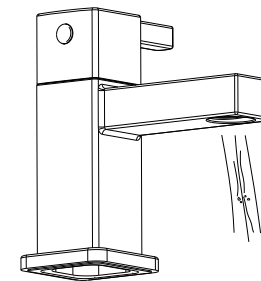
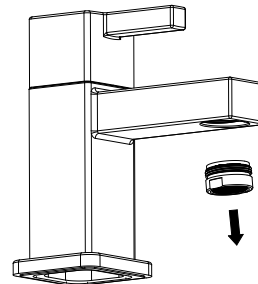


Unscrew the mounting nut and rubber washer from the tap.

2

### Step#3

Flush the mixer tap clean before using for the first time, Unscrew the aerator and let the water run through for about 5 minutes. Then screw on the aerator again.



3