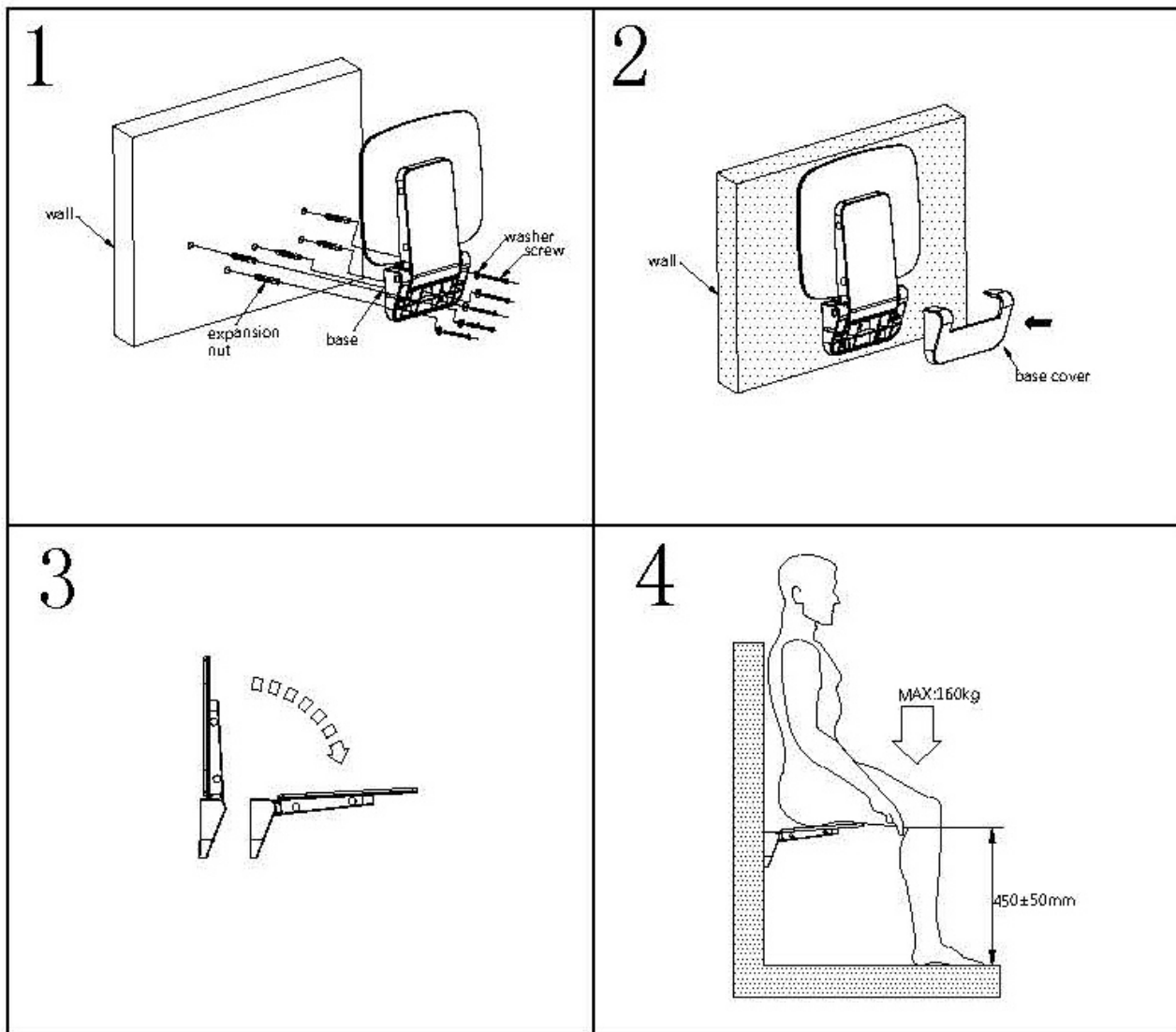


Installatie instructie



Warning!

The maximum load of the shower seat is 160kg, there will be permanent damage if the load exceeding the limit. The shower seat only suitable for the solid stone/brick walls, it is not suitable for using in aerated blocks or similar. And please check that the screws and seat are completely fastened to the wall after the installation.

Be careful about hidden cables or pipes in the wall when installing. And be careful to avoid slipping when drilling holes on smooth surfaces such as ceramic tiles and so on.

It is so dangerous that standing on the seat.

Please sit on the middle of the seat as far as possible. Avoid sitting on the edge or corner of the seat, or its lifespan will be cut.

The seat can be folded up and affixed to the wall to maximise space within your shower enclosure.

236F187-E18-01A